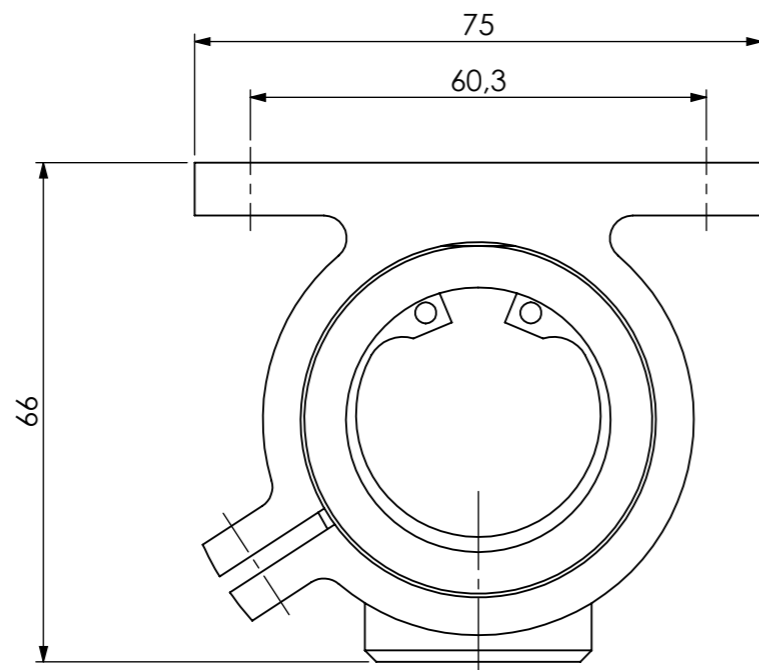
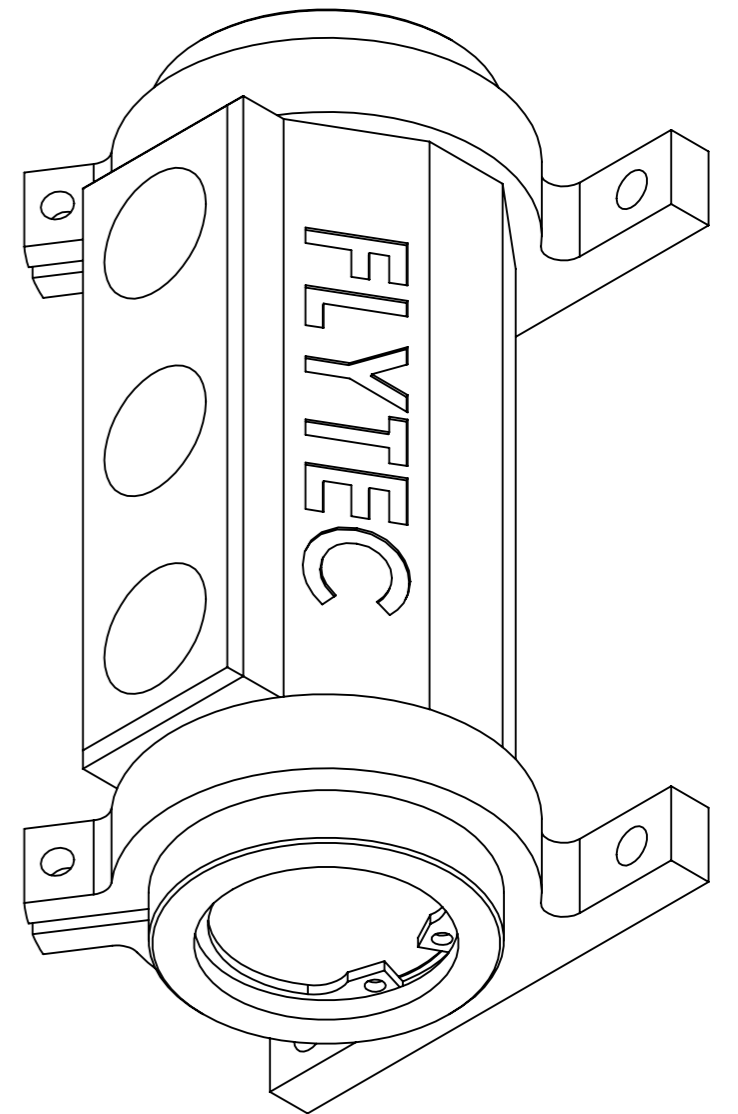
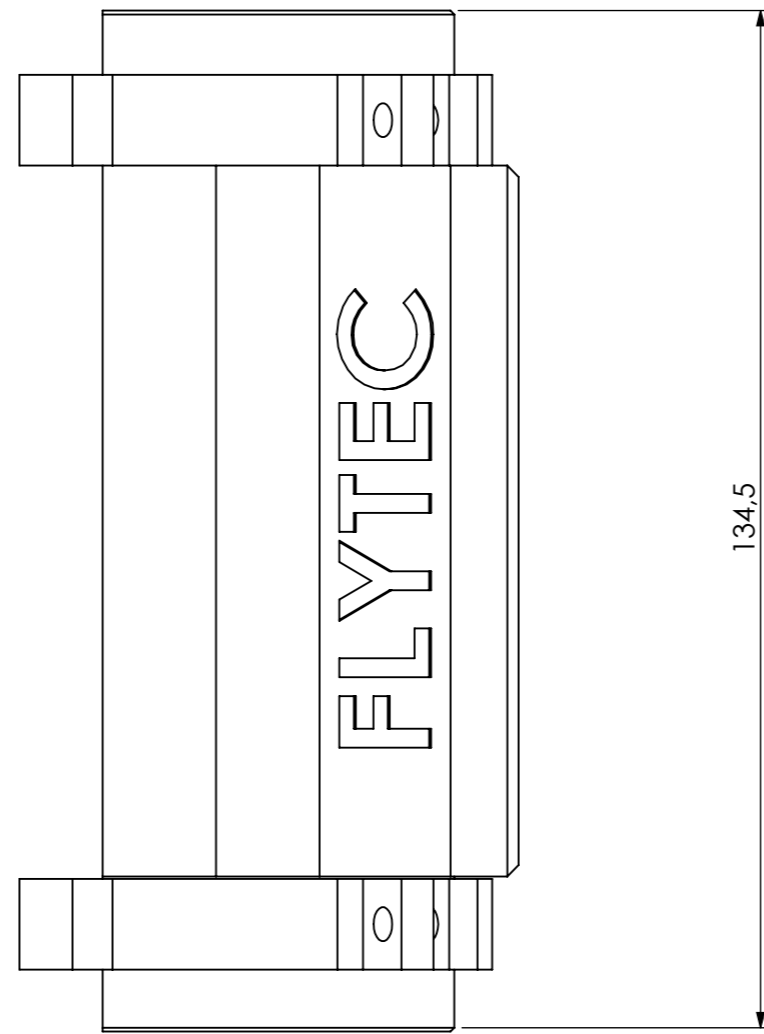
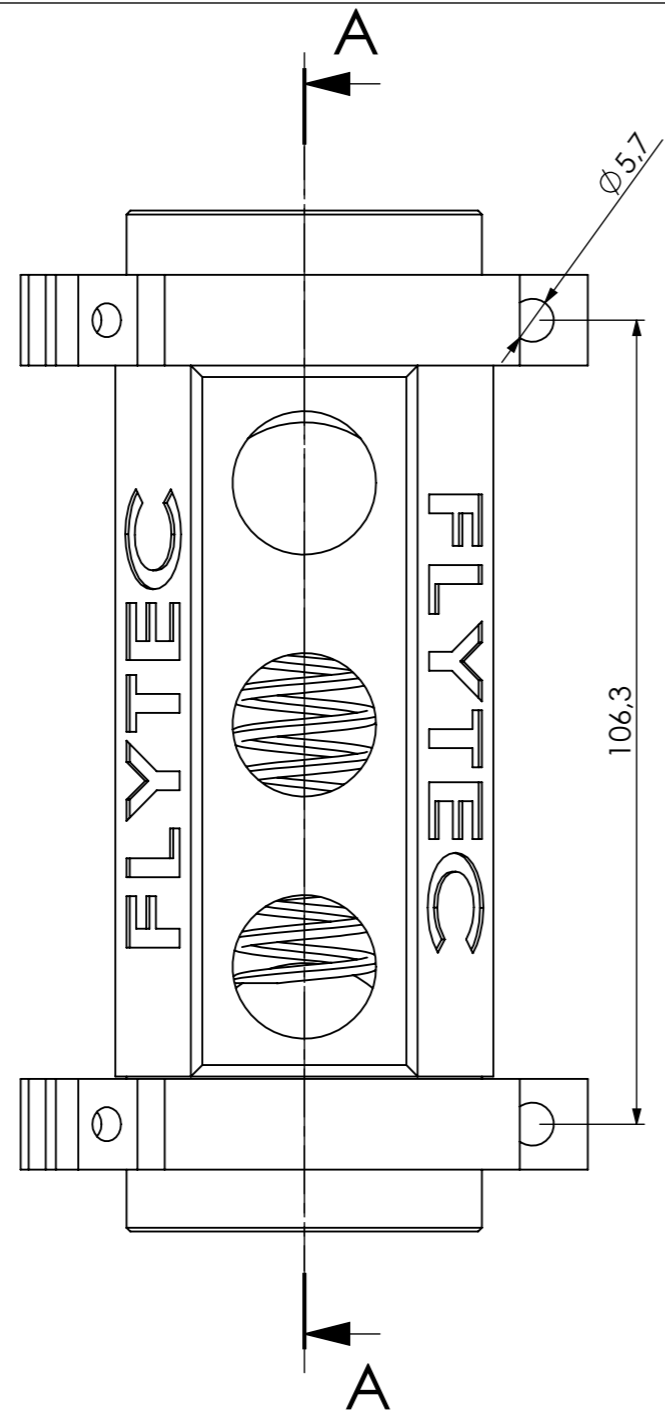


COUPE A-A



-	Origine drawing		SC	0
MAGIC	Ech: 1:1	Format: A3	Material: Matériau <non spécifié>	Qty: 1
			Weight in gr: 709.07	Tol générale: ±0.2
Heat Treatment: -	N°	DESIGNATION		
Surface Treatment: -	MO-001 Oil valve			